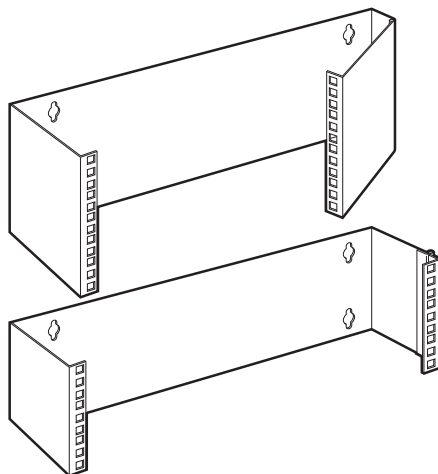




# Wallmount Patch Panel Brackets



## Specifications

**Construction:** 16-gauge steel

**Size:** JPM049-R2: 3.5" (2U) H x 19.45"W x 4"D  
(8.9 x 49.4 x 10.2 cm);

JPM053-R2: 5.25" (3U) H x 19.45"W x 4"D  
(13.3 x 49.4 x 10.2 cm);

JPM054-R2: 7" (4U) H x 19.45"W x 4"D  
(17.8 x 49.4 x 10.2 cm);

JPM057A-R2: 14" (8U) H x 19.45"W x 4"D  
(35.6 x 49.4 x 10.2 cm);

JPM058-R2: 7" (4U) H x 19.45"W x 8"D  
(17.8 x 49.4 x 20.4 cm);

JPM059-R2: 7" (4U) H x 19.45"W x 12"D  
(17.8 x 49.4 x 30.5 cm)

## Specifications (Continued)

**Weight:** JPM049-R2: 2 lb. (0.9 kg);

JPM053-R2: 2.8 lb. (1.3 kg);

JPM054-R2: 3.5 lb. (1.6 kg);

JPM057-R2: 7.5 lb. (3.4 kg);

JPM058-R2: 4.3 lb. (2 kg)

JPM059-R2: 5.3 lb. (2.4 kg)

## Package Includes

- (1) wallmount bracket
- (4) wallmount screws
- (8) M5 cage nuts, 10-32 threaded
- (8) cuphead screws, 10-32
- This user's manual

## TRADEMARKS USED IN THIS MANUAL

BLACK BOX and the Double Diamond logo are registered trademarks of BB Technologies, Inc.

*Any other trademarks mentioned in this manual are acknowledged to be the property of the trademark owners.*

© Copyright 2008. Black Box Corporation. All rights reserved.