

ServSwitch CX KVM Switch

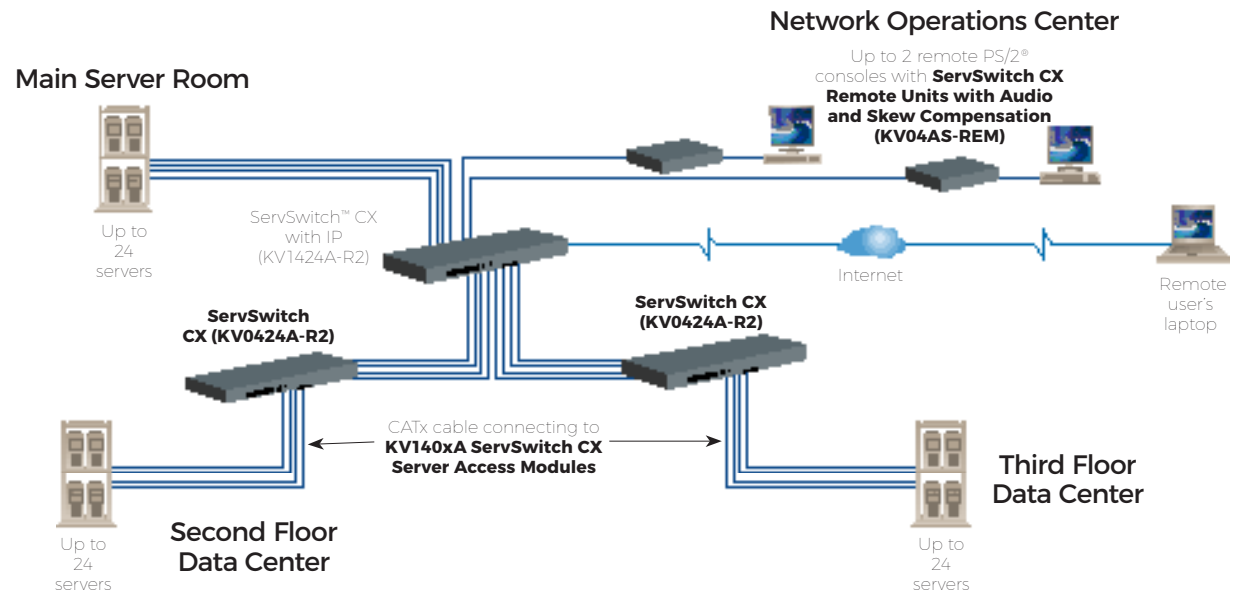
**Up to 4 users can access and control 16 or 24 multiplatform servers connected via CATx cable.**



## FEATURES

- » Maximum resolution of 1900 x 1440.
- » Connect to speakers to hear audio prompts from the servers.
- » Reset one or more host system power switches via its power control port.
- » Includes rackmounting hardware.
- » Supports DDC emulation.
- » Supports PS/2 or USB style keyboard and mouse.
- » Easily cascadable.
- » Remote users can connect to switch using ServSwitch CX Remote Units.
- » Flash upgradable.
- » Easily switch computers via hotkeys, on-screen display, or mouse.

The ServSwitch CX is great for small and mid-size data centers!



## OVERVIEW

### Easier connections than ever!

There are no bulky KVM cables to deal with—the **ServSwitch™ CX** enables up to four users to connect to the switch via CAT5, CAT5e, or CAT6 UTP cable. In addition, you can mix and match different kinds of servers on the same CX switch! Just run CATx cables from the switch's server ports to the Server Access Modules (SAMs) that connect to your servers. Simply choose the appropriate SAM for each server and you're all set.

What's more, you can connect the **ServSwitch CX** to either a PS/2® or USB keyboard and mouse—it includes both connector types!

To connect a remote PS/2 console to the **ServSwitch CX** with IP using CATx cable, order a ServSwitch CX Remote Unit. Three models are available: Basic, with Audio, and with Audio Skew Compensation.

### Simple server selection.

Whether you're working at a user station or the local analog console port in the server room, you can select a server to access and control via on-screen menus or hotkeys. On-screen menus make server selection simple because you can give each server a name that makes sense to you.

### Sight and sound support.

The **ServSwitch CX** provides super-sharp resolutions up to 1900 x 1440 for all users up to 164 feet (50 m) away. And at up to 984.2 feet (300 m) away, the CX displays 1024 x 1280 video resolution. By choosing a SAM with audio, you add support for stereo speakers, enabling you to hear audible alerts.

### Take charge with your power.

The **ServSwitch CX** has a power control port that enables a remote user to reset one or more power switches in the host system. Plus, dual power connectors enable the **ServSwitch CX** to draw power from its included wallmount adapter or from an optional redundant power supply if there's a power failure.

### Ready right now—and for the future.

The **ServSwitch CX** comes complete with rackmounting hardware to install the switch in any open 1U of rack space in your server room. The switch can also be flash upgraded, so it's obsolescence-proof.

### Cascadable with the ServSwitch CX with IP!

For even greater versatility, you can cascade this switch with its IP-enabled version, the **ServSwitch CX** with IP (KV1416A-R2, KV1424A-R2). For details on these KVM switches, see **Product Data Sheet #26631**.



## TECH SPECS

**Distance (Maximum)** – 984.2 ft. (300 m)  
**Resolution (Maximum)** – 1900 x 1440 @ 164 ft. (50 m)  
**CE Approval** – Yes

**Connectors** –  
 KV0416A-R2, KV0424A-R2:  
 Local analog console port:  
 Monitor: (1) HD15 F;  
 Keyboard and mouse: PS/2: (2) 6-pin mini DIN F; USB: (2) Type A F;

A F:  
 User ports: (4) RJ-45;  
 Servers: (16) or (24) RJ-45;  
 Audio: (1) 3.5-mm jack;  
 Serial RS-232 (DTE): (1) DB9 F;  
 Power control: (1) DB9 M;  
 Power input: (2) barrel F;

KV1400A: (1) RJ-45, (2) 6-pin mini DIN M, (1) HD15 M;  
 KV1402A: (1) RJ-45, (2) 6-pin mini DIN M, (1) HD15 M, (1) 3.5-mm plug;  
 KV1401A: (1) RJ-45, (1) USB Type A M, (1) HD15 M;  
 KV1403A: (1) RJ-45, (1) USB Type A M, (1) HD15 M, (1) 3.5-mm plug;  
 KV1404A: (1) RJ-45, (1) 8-pin mini DIN M, (1) HD15 M, (1) 3.5-mm plug

**Power** – 100–240 VAC, 50–60 Hz, autosensing  
**Size** – KV0416A-R2, KV0424A-R2: 1.75"H (1U) x 19"W x 8.5"D  
 (4.4 x 48.3 x 21.6 cm)

### What's included with KV0416A-R2

- (1) 16-port CATx KVM Switch
- (1) 5VDC, 6A External Power Supply
- (1) 6 ft. US Power Cord
- (1) DB9 M/F Serial Cable (female has standoffs)
- (8) Rubber Feet
- (8) Large Panhead Screws
- (4) Small Panhead Screws
- (4) Small Flathead Screws
- (1) Set of Rackmount Ears for 19" Mounting

### Item

### Code

ServSwitch™ CX KVM Switch (1) Analog Console Port + (4) Users (16) Servers (24) Servers	<b>KV0416A-R2</b> <b>KV0424A-R2</b>
--	--

### For each server connection, you need...

ServSwitch CX Server Access Modules PS/2® with Audio USB with Audio Sun® with Audio	<b>KV1400A</b> <b>KV1402A</b> <b>KV1401A</b> <b>KV1403A</b> <b>KV1404A</b>
--	--

### To connect a remote PS/2 console to the ServSwitch CX using CATx cable, order...

ServSwitch CX Remote Units Basic with Audio with Audio and Skew Compensation	<b>KV04-REM</b> <b>KV04A-REM</b> <b>KV04AS-REM</b>
---	--

### What's included with KV0424A-R2

- (1) 24-port CATx KVM Switch
- (1) 5VDC, 6A Power Supply
- (1) 6 ft. US Power Cord
- (1) DB9 M/F Serial Cable (female has standoffs)
- (8) Rubber Feet
- (8) Large Panhead Screws
- (4) Small Panhead Screws
- (4) Small Flathead Screws
- (1) Set of Rackmount Ears for 19" Mounting

## Why Buy From Black Box? Exceptional Value. Exceptional Tech Support. Period.

Recognize any of these situations?

- You wait more than 30 minutes to get through to a vendor's tech support.
- The so-called "tech" can't help you or gives you the wrong answer.
- You don't have a purchase order number and the tech refuses to help you.
- It's 9 p.m. and you need help, but your vendor's tech support line is closed.

According to a survey by *Data Communications* magazine, 90% of network managers surveyed say that getting the technical support they need is extremely important when choosing a vendor. But even though network managers pay anywhere from 10 to 20% of their overall purchase price for a basic service and support contract, the technical support and service they receive falls far short of their expectations—and certainly isn't worth what they paid.

At Black Box, we guarantee the best value and the best support. You can even consult our Technical Support Experts before you buy if you need help selecting just the right component for your application.

Don't waste time and money—call Black Box today.



KV0416A: top: front view;  
bottom: rear view

