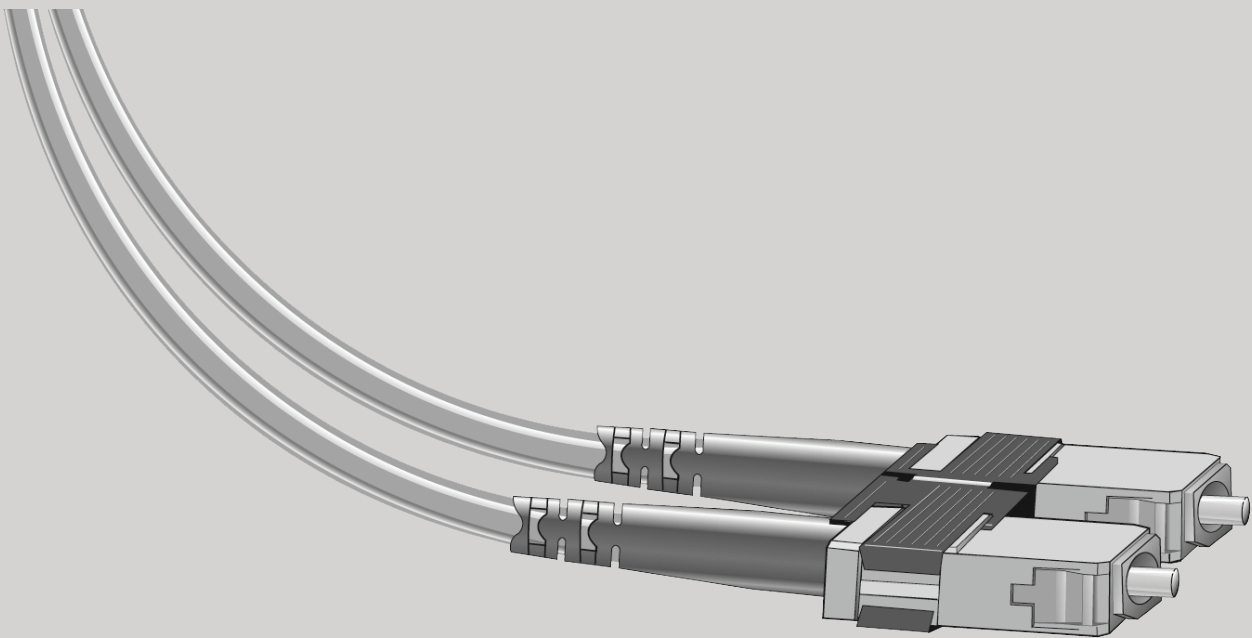


DATA SHEET

EFE080 THROUGH EFE088 SERIES

SINGLEMODE RUGGEDIZED FIBER CABLE

TECHNICAL SUPPORT AT 00800.2255.2269 OR VISIT BLACKBOX.EU



BLACK BOX

OVERVIEW

SINGLEMODE RUGGEDIZED FIBER CABLE DATA SHEET

INTRODUCTION

Black Box ruggedized patch cords are constructed with helical stainless steel tape over a buffered fiber surrounded by a layer of aramid and stainless steel mesh, and feature a Low Smoke Zero Halogen (LSZH) jacket. The cable provides protection against kinking and crushing (two common problems when installing fiber), yet remains flexible and compact.

Enhanced armored patch cords are used in customer premises, central offices and in indoor harsh environments, and provide flexible interconnection to active equipment, passive optical devices and cross-connects. Our patch cords are terminated with premium connectors, all of which are quality tested to meet international standards.

APPLICATIONS

- DATACENTER AND COLOCATION
- CATV/VIDEO
- PASSIVE OPTICAL NETWORK PON
- FTTX
- ATM, SONET AND WDM
- MILITARY APPLICATIONS

FEATURES

- TWICE AS STRONG AS STANDARD DUPLEX PATCH CABLES
- CRUSH AND KINK RESISTANT, YET FLEXIBLE AND COMPACT
- LESS PRONE TO DAMAGE DURING AND AFTER INSTALLATION.
- CHOOSE FROM LC, SC, ST, AND FC CONNECTORS
- LOW SMOKE ZERO HALOGEN (LSZH) JACKETING
- AVAILABLE IN SINGLEMODE AND MULTIMODE FIBER TYPES
- AVAILABLE IN STANDARD AND CUSTOM LENGTHS
- REACH, SVHC, AND ROHS MATERIALS COMPLIANT

COMPARISON CHART

SPECIFICATION COMPARISON CHART								
EFE080	EFE081	EFE082	EFE083	EFE084	EFE085	EFE086	EFE087	EFE088
LC/LC	LC/SC	LC/ST	FC/ST	FC/SC	FC/FC	ST/ST	ST/SC	SC/SC
1-m	1-m	1-m	1-m	1-m	1-m	1-m	1-m	1-m
2-m	2-m	2-m	2-m	2-m	2-m	2-m	2-m	2-m
3-m	3-m	3-m	3-m	3-m	3-m	3-m	3-m	3-m
5-m	5-m	5-m	5-m	5-m	5-m	5-m	5-m	5-m
10-m	10-m	10-m	10-m	10-m	10-m	10-m	10-m	10-m
15-m	15-m	15-m	15-m	15-m	15-m	15-m	15-m	15-m
20-m	20-m	20-m	20-m	20-m	20-m	20-m	20-m	20-m

For complete ordering information, see page 5.



SPECIFICATIONS

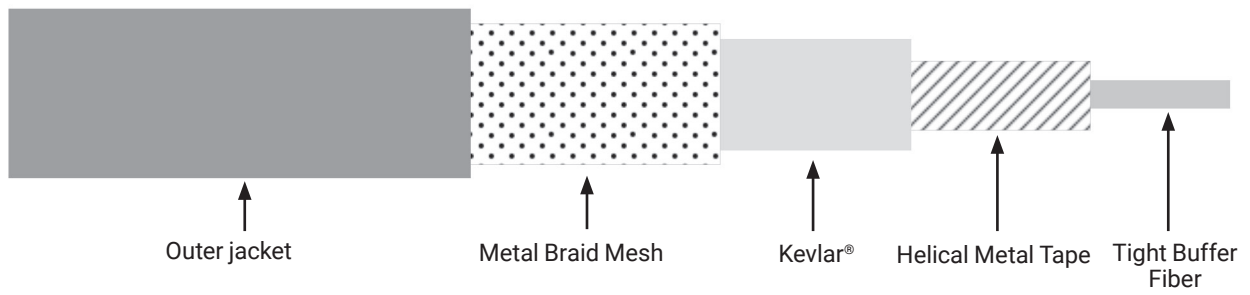
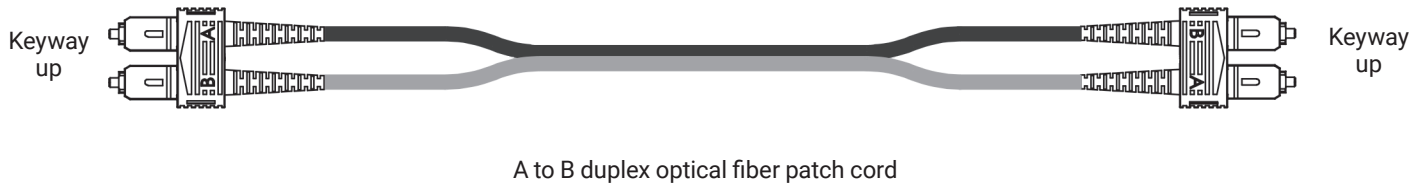
SINGLEMODE RUGGEDIZED FIBER CABLE DATA SHEET

SPECIFICATIONS FOR SINGLEMODE RUGGEDIZED FIBER CABLE		
CONNECTORS		
OPTICAL PERFORMANCE	SINGLEMODE	CONFORMANCE
IL MAX/MASTER (ACCEPTANCE)	0.25 dB	IEC 61300-3-4
AVE/MASTER	0.18 dB	IEC 61300-3-4
AVE/RANDOM	0.18 dB	IEC 61300-3-34
RETURN LOSS SINGLE MODE UPC/APC	55/65 dB	IEC 61300-3-6
FIBER CHARACTERISTICS		
ATTENUATION (DB/KM) SINGLE MODE	0.38 @ 1310 nm / 0.25 @1550 nm	
CHROMATIC DISPERSION (PS/NM X KM) SINGLE MODE	3.0 @ 1310 nm / 18.0 @1550 nm	
CABLE SPECIFICATIONS		
CABLE MATERIAL	LSZH	
STRENGTH MEMBER	Aramid	
CRUSH (N) SHORT TERM	3000	
CRUSH (N) LONG TERM	200	
OPERATING TEMPERATURE (°C)	-20 to +60° C	
FIRE SPECIFICATION	IEC 60332-1	



DIAGRAMS

SINGLEMODE RUGGEDIZED FIBER CABLE DATA SHEET



ORDERING INFORMATION

PART NUMBER	LENGTH	PART NUMBER	LENGTH
LC/LC CONNECTORS		FC/FC CONNECTORS	
EFE080-001M-R	1-m	EFE085-001M-R	1-m
EFE080-002M-R	2-m	EFE085-002M-R	2-m
EFE080-003M-R	3-m	EFE085-003M-R	3-m
EFE080-005M-R	5-m	EFE085-005M-R	5-m
EFE080-010M-R	10-m	EFE085-010M-R	10-m
EFE080-015M-R	15-m	EFE085-015M-R	15-m
EFE080-020M-R	20-m	EFE085-020M-R	20-m
LC/SC CONNECTORS		ST/ST CONNECTORS	
EFE081-001M-R	1-m	EFE086-001M-R	1-m
EFE081-002M-R	2-m	EFE086-002M-R	2-m
EFE081-003M-R	3-m	EFE086-003M-R	3-m
EFE081-005M-R	5-m	EFE086-005M-R	5-m
EFE081-010M-R	10-m	EFE086-010M-R	10-m
EFE081-015M-R	15-m	EFE086-015M-R	15-m
EFE081-020M-R	20-m	EFE086-020M-R	20-m
LC/ST CONNECTORS		ST/SC CONNECTORS	
EFE082-001M-R	1-m	EFE087-001M-R	1-m
EFE082-002M-R	2-m	EFE087-002M-R	2-m
EFE082-003M-R	3-m	EFE087-003M-R	3-m
EFE082-005M-R	5-m	EFE087-005M-R	5-m
EFE082-010M-R	10-m	EFE087-010M-R	10-m
EFE082-015M-R	15-m	EFE087-015M-R	15-m
EFE082-020M-R	20-m	EFE087-020M-R	20-m
FC/ST CONNECTORS		SC/SC CONNECTORS	
EFE083-001M-R	1-m	EFE088-001M-R	1-m
EFE083-002M-R	2-m	EFE088-002M-R	2-m
EFE083-003M-R	3-m	EFE088-003M-R	3-m
EFE083-005M-R	5-m	EFE088-005M-R	5-m
EFE083-010M-R	10-m	EFE088-010M-R	10-m
EFE083-015M-R	15-m	EFE088-015M-R	15-m
EFE083-020M-R	20-m	EFE088-020M-R	20-m
FC/SC CONNECTORS		-	
EFE084-001M-R	1-m	-	-
EFE084-002M-R	2-m	-	-
EFE084-003M-R	3-m	-	-
EFE084-005M-R	5-m	-	-
EFE084-010M-R	10-m	-	-
EFE084-015M-R	15-m	-	-
EFE084-020M-R	20-m	-	-



DISCLAIMER/TRADEMARKS/NOTES

DISCLAIMER

Black Box Corporation shall not be liable for damages of any kind, including, but not limited to, punitive, consequential or cost of cover damages, resulting from any errors in the product information or specifications set forth in this document and Black Box Corporation may revise this document at any time without notice.

ABOUT BLACK BOX

Black Box is a world leading technology solutions provider specializing in complete high-performance KVM, professional A/V signal distribution and extension and switching solutions for mission-critical applications. Black Box is dedicated to delivering superior project engineering, technical support, and 24/7 customer service you can rely on for your most critical operations.

Every day, our customers trust us to design, integrate, and maintain reliable control room solutions for broadcasting, post-production, stadiums & arenas, medical, air traffic control, oil & gas, government & military, and utility industries. Leave the tech to us and our comprehensive technology solutions will deliver secure connections, fast-response times, real-time collaboration, and more.

NOTES

TRADEMARKS

Black Box and the Black Box logo type and mark are registered trademarks of Black Box Corporation.

Any other trademarks mentioned in this document are acknowledged to be the property of the trademark owners.

