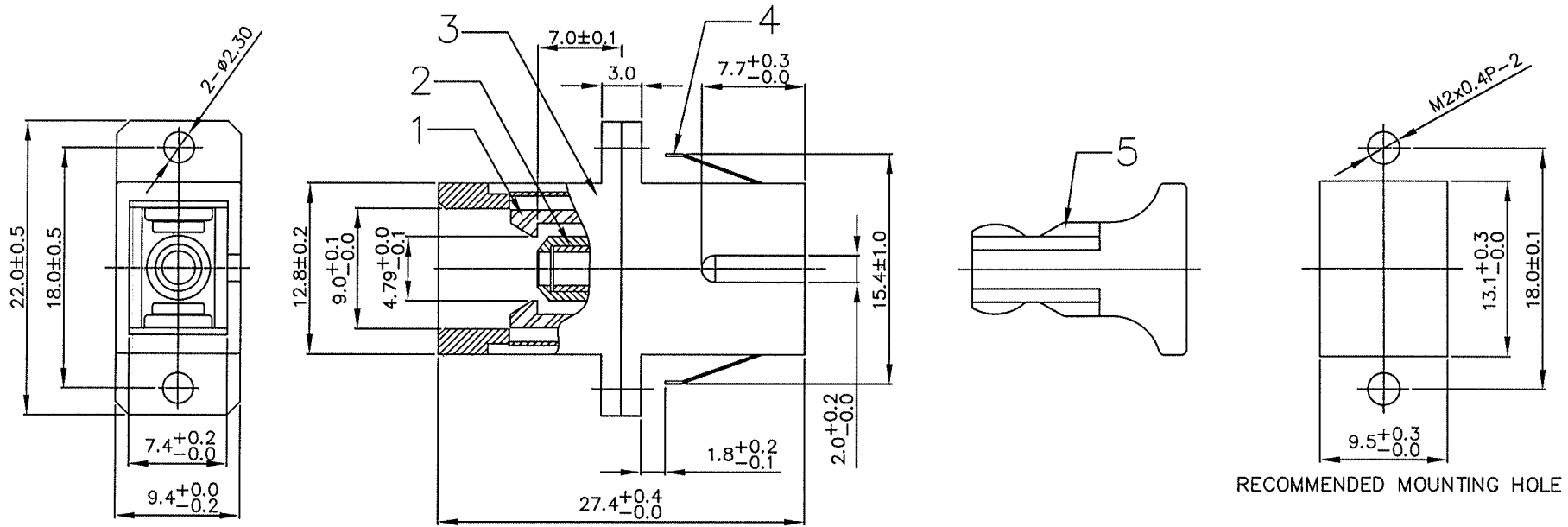


FILE NO.	FOT117,FOT119
PART NO.	-

REV.		DESCRIPTION	DATE	ECO No.	APPVD
A		RELEASE TO PRODUCT	2010/11/05		CHANG



RECOMMENDED MOUNTING HOLE

NOTE

1. INSERTION LOSS : 0.20dB/0.30dB (TYP./MAX.)
2. RETENTION FORCE : 200GF(1.96N)~600GF(5.88N)
3. DURABILITY (500 MATINGS) : 0.15dB MAX. INCREASE.
4. OPERATING TEMPERATURE: $-40^{\circ}\text{C} \sim +80^{\circ}\text{C}$.
5. ALL MATERIAL COMPLIANT WITH RoHS.
6. BLACK BOX P/N :
S.M. PhBr : FOT117
S.M. ZrO2 : FOT119

5	CAP	2	ABS UL 94V-0	AS REQUIRED
4	PLATE	1	SUS301	STAINLESS STEEL
3	ADAPTOR HOUSING	2	PBT UL 94V-0	-----
2	SPLIT SLEEVE	1	ZrO2/PhBr	
1	HOOK	2	PBT UL 94V-0	-----
NO.	PART NAME	QTY	MATERIAL	PROCESSING
MATERIAL		SIGNATURE	DATE	<small>Another quality product from</small> BLACK BOX <small>TEL: 042-5297111 FAX: 042-5297112</small> <small>WWW.BLACKBOX.COM</small>
QUANTITY		DRAWN	DATE	
		PROJECT ENGINEER	DATE	DWG. NAME
		CHECKED	DATE	
		APPROVED	DATE	SIMPLEX SC ADAPTOR DWG. NO. FOT117,FOT119
		DRAWING MANAGER	DATE	
		SCALE: N/A	DATE: 2010/11/05	REV. A