

Specifications

Approvals	
Ethernet Standards	IEEE 802.3 for 10BASE-T IEEE 802.3u for 100BASE-TX and 100BASE-FX IEEE 802.3ab for 1000BASE-T IEEE 802.3z for 1000BASE-X IEEE 802.3x for Flow control
EMI	FCC Part 15, CISPR (EN55022) class A
EMS	EN61000-4-2 (ESD), EN61000-4-3 (RS), EN61000-4-4 (EFT), EN61000-4-5 (Surge), EN61000-4-6 (CS), EN61000-4-8, EN61000-4-11
Shock	IEC60068-2-27
Free Fall	IEC60068-2-32
Vibration	IEC60068-2-6
Safety	EN60950-1
Environmental	
Operating Temperature	-40 to +158° F (-40 to +70° C)
Storage Temperature	-40 to +185° F (-40 to +85° C)
Operating Humidity	5 to 95%, noncondensing
Performance	
MAC Table	1K MAC addresses
Processing	Store-and-Forward
Physical	
Connectors	(4) 10/100/1000BASE-T(X) RJ-45, auto-MDI/MDI-X ports, (2) 100/1000BASE-X SFP ports
Enclosure	IP-30
Dimensions	5.68"H x 1.03"W x 3.74"D (14.43 x 2.61 x 9.49 cm)
Weight	0.9 lb. (0.41 kg)
Indicators	(2) Power LEDs, (1) Fault LED, (4) 10/100/1000BASE-T(X) RJ-45 Port LEDs, (2) 100/1000BASE-X SFP port LEDs
User Controls	
SFP Speed DIP switches 1 and 2 (for ports 5 and 6)	DIP Switch ON: SFP speed is set to 100 Mbps, DIP Switch OFF: SFP speed is set to 1000 Mbps
Relay Output DIP switches 1 and 2 (for Power 1 and Power 2 ports)	DIP Switch 1: Power 1 failed warning, DIP Switch 2: Power 2 failed warning



Black Box Tech Support: FREE! Live. 24/7. Tech support the way it should be.



Great tech support is just 60 seconds away at 724-746-5500 or blackbox.com.

Specifications (continued)

Power	
Input	(2) 12–48 VDC inputs on 6-pin terminal block
Consumption	6.4 W (powered device not included)
Overload Current Protection	Present
Reverse Polarity Protection	Present
Fault Contact Relay Output	1 A at 24 VDC

Customer Support Information

Order toll-free in the U.S.:
Call 877-877-BBOX
(outside U.S. call 1-724-746-5500)

FREE technical support
24 hours a day, 7 days a week:
Call 724-746-5500 or
fax 724-746-0746

Web site: www.blackbox.com

E-mail: info@blackbox.com

© Copyright 2016. Black Box Corporation. All rights reserved. Black Box and the Double Diamond logo are registered trademarks of BB Technologies, Inc. Any other trademarks mentioned in this manual are acknowledged to be the property of the trademark owners.

lgh1006a_qsg_rev1



LGH1006A Industrial Ethernet Switch

Quick Start Guide

Has (4) 10/100/1000BASE-T(X) ports and (2) 100/1000BASE-X SFP ports.



What's Included

Your package should include the following items. If anything is missing or damaged, contact Black Box Technical Support at 724-746-5500 or info@blackbox.com.

- (1) LGH1000 Series Industrial Ethernet Switch - (4) 10/100/1000-Mbps, (2) GE SFP
- (1) 6-pin terminal block
- (4) RJ-45 dust covers
- (2) SFP slot dust covers
- (3) M3 round screws
- (2) wall mount brackets and hardware
- (1) DIN rail
- This Quick Start Guide

Overview

The LGH1006A Industrial Ethernet Switch is an unmanaged Ethernet switch, with four 10/100/1000BASE-T(X) ports and two 100/1000BASE-X SFP ports. To set the optical network speed SFP port, change the settings of the DIP switch as described in Table 3-1. The operating temperature ranges from -40 to +158° F (-40 to +70° C).

Features

- Provides four 10/100/1000BASE-T(X) ports.
- SFP port supports 100BASE-FX and 1000BASE-X dual speed.
- Switch supports auto-negotiation and auto-MDI/MDI-X.
- Uses store-and-forward transmission and flow control.
- Has IP-30 housing.
- Mounts on a DIN rail or on a wall.

Hardware Description

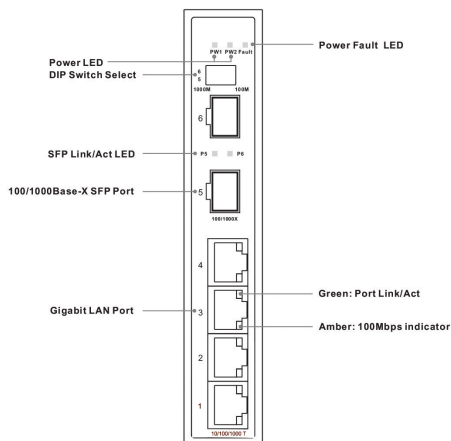


Figure 1. Front panel.

Table 1. Front panel components.

Component	Description
(2) LEDs: PWR1, PWR2	Lights when corresponding power port is active
(1) Power Fault LED	Lights when the power fails
(2) SFP Link/Act LEDs	Lights when there is activity on the corresponding port
(2) 100/1000BASE-T(X) SFP port	Lights when the port is operating at 1000 Mbps
(4) Gigabit LAN ports	Lights when the port is operating at 1000 Mbps
(4) Port Link/Act. LEDs	Lights green when there is activity on the port
(4) 100-Mbps LEDs	Lights amber when the corresponding port is operating at 100 Mbps

Table 2. SFP speed selection DIP switches (for Ports 5 and 6.

SFP Speed Selection DIP Switch Positions 1 and 2	Description
Both OFF	1000 Mbps
Both ON	100 Mbps

Power Connection Guide

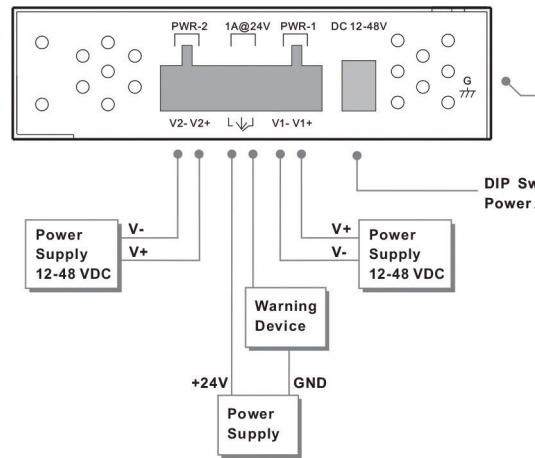


Figure 2. Power connections.

Table 3. Power DIP switches for PWR-1 and PWR-2.

Power DIP Switch Settings		Description
PWR 1	PWR 2	
OFF	OFF	Power failure relay alarm disabled
ON	OFF	PWR-1 failure, relay alarm enabled
OFF	ON	PWR-2 failure, relay alarm enabled
ON	ON	PWR-1 or PWR-2 failure, relay alarm enabled

Installation

Install the DIN rail or wallmount brackets on the switch as shown below.

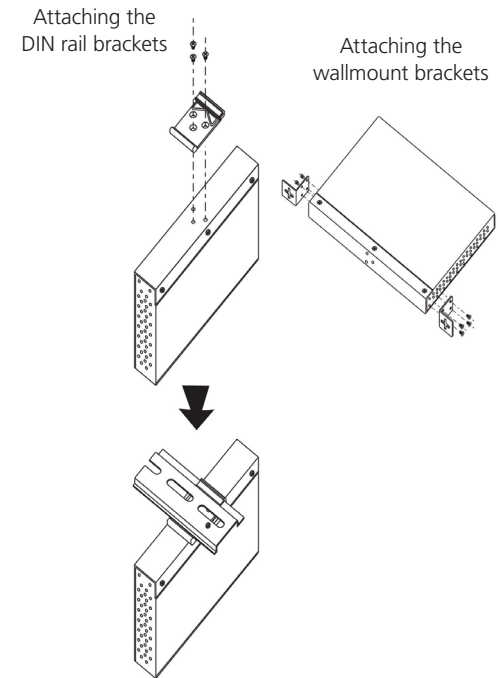


Figure 3. DIN Rail or Wallmount brackets installation.