

## Wizard Multimedia Extender LP

Extend VGA video to four displays up to 500 feet (150 m) away with line powered receivers.



## FEATURES

### AVU4004A:

- › Distributes VGA video easily to four monitors.
- › Sends maximum resolutions at a maximum distance of 152.4 m.
- › Transmits power to receivers. Great for areas short on outlets.
- › Also ideal for digital signage.

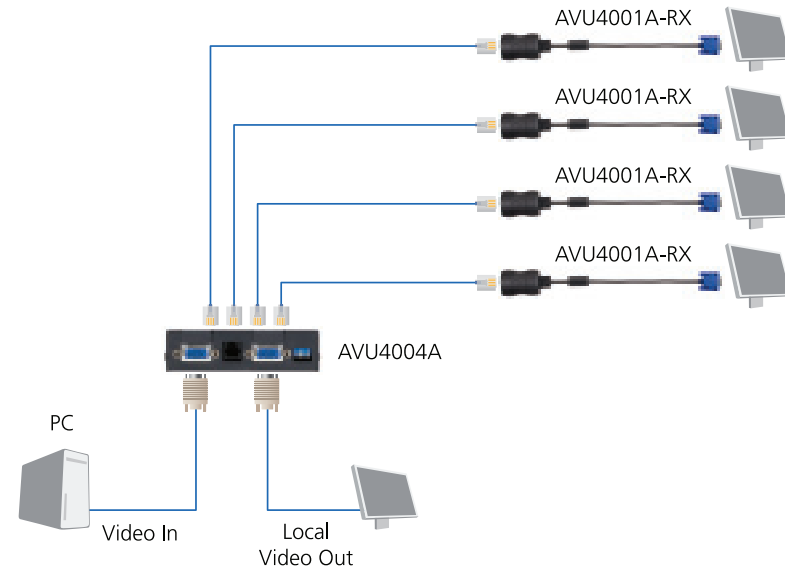
### AVU4001A-RX:

- › Attaches to a screen in a Wizard Multimedia Extender LP 4-Port Transmitter application.
- › Extends maximum resolutions at a maximum distance of 152.4 m.
- › No need for external power. Use for video in areas short on outlets.

### AVU4001A Kit:

- › Includes one AVU4001A-TX transmitter unit and one AVU4001A-RX receiver unit.

Connect the Wizard Multimedia Extender LP (AVU4004A) transmitter and up to four modules (AVU4001A-RX) driving remote displays and a local monitor.



## OVERVIEW

The Wizard Multimedia Extender LP (AVU4004A) enables you to distribute high quality analogue video to four video displays, each of which can be up to 150 metres away. All links are made using simple twisted pair cables (Category 5 or higher) with a compact AVU4001A-RX module at each remote end. Each remote module converts the long distance transmission signals back into high quality analogue video signals for each display. All power for the remote modules is fed along the CATx cabling to allow quick and straightforward installation at each remote location.

Cascading units to support more displays.

If you need to drive more than four video displays, you can connect up to three AVU4004A units in cascade. To do this, the local video out port of the first AVU4004A unit is fed to the video in port of the next one.

Or, choose the ACU4001A kit.

The kit includes a compact, simple-to-install single-port transmitter and receiver. Save by using CATx cable already installed in your building—no expensive, hard-to-handle VGA cabling needed. The extender fully supports Display Data Channel (DDC) communications via standard stored settings or by emulation. A video adjustment on the remote unit controls image sharpness on the display.

## TECH SPECS

Hardware Compatibility — All computers with SVGA analog video interfaces  
Software Compatibility — Operates with all known software and operating systems including Windows®, Linux®, Unix®, BSD, all Sun® OS, all Mac® OS, NetWare®

Distance (Maximum) — 150 m

Resolution (Maximum) — HD: 1080p

Connectors — Local module (AVU4004A): Video: (2) DB15 female,

Links: (4) RJ-45,

Other: Power jack;

Local module (single-port transmitter): Video: (1) DB15 female, (1) RJ-45,

(1) USB Type A,

Other: Power jack;

Remote Module (AVU4001A-RX): Video: (1) DB15 female,

Link: (1) RJ-45

Operating Temperature — 0 to 40° C

Power — DC jack (power adapter included);

Input: 100–240 VAC, 50/60 Hz;

Output: 5VDC, 12.5W



Local Module:  
AVU4004A



Remote Module:  
AVU4001A-RX



AVU4001A Kit

### What's included

Your package should contain the following items. If anything is missing or damaged, contact Black Box Technical Support at 01 18 965 6000 or [info@blackbox.co.uk](mailto:info@blackbox.co.uk).

#### AVU4004A:

- Wizard Multimedia Extender LP local module
- Power adapter and power cord
- (4) self-adhesive feet
- CD-ROM containing a user manual in PDF format
- Analogue video link cable (1.8-m)

#### AVU4001A-RX:

- Wizard Multimedia Extender LP remote module

#### AVU4001A Kit:

- Wizard Multimedia Extender LP remote module
- Wizard Multimedia Extender LP local module (single-port model)
- CD-ROM containing a user manual in PDF format

NOTE: The AVU4004A local module connects to up to four remote modules.

Item	Code
Wizard Multimedia Extender LP Local Module, 4-Port	AVU4004A
Remote Module	AVU4001A-RX
Kit (includes [1] single port transmitter and [1] receiver module)	AVU4001A
<b>You may also need...</b>	
Rackmount Fascia Plate	AVU5002
19" Rackmount Chassis	AVU5000A