

ServSwitch Secure KVM Switch with USB

Combat security threats with these EAL4+ tested and TEMPEST-approved switches.

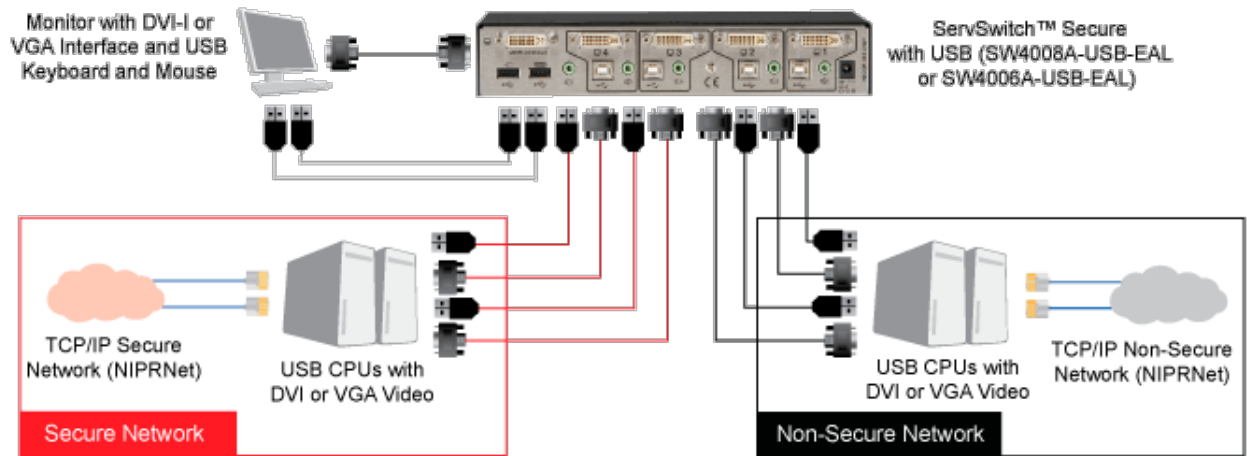


FEATURES

- » High port-to-port electrical isolation, which facilitates data separation (RED/BLACK).
- » The low radiated emissions profile meets the appropriate national requirements.
- » Switches are permanently hard wired, preventing access from one CPU or network to the others.
- » External tamper-evident seals.
- » Channel-to-channel 60-dB crosstalk isolation protects against signal snooping.
- » Support DVI-I video, which is DC balanced and may be encoded for security.
- » Provide robust isolation between networks, so they're ideal for government applications that access classified networks in addition to public networks such as the Internet.
- » **Warranty** — 2 Years.

TYPICAL APPLICATION

Safely access servers between secured and unsecured networks.



OVERVIEW

The ServSwitch™ Secure KVM Switch with USB, EAL4+ Certified, DVI offers not only superior hardware-based data-isolation features, but it has also been certified for Common Criteria Evaluation Assurance to Level 4+ (EAL4+), augmented by ALC_FLR.2 and ATE_DPT.2.

The Common Criteria is an international standardised process for information technology security evaluation, validation, and certification. The Common Criteria scheme is supported by the National Security Agency through the National Information Assurance Program (NIAP). EAL4+ itself defines a common set of tests to evaluate the security of an IT product relating to its supply chain, from design and engineering to manufacturing and distribution.

The ServSwitch Secure KVM Switch with USB, EAL4+ Certified, DVI provides control and separation of two PC CPUs/ servers connected to secure and non-secure networks through just one keyboard, monitor, and mouse. Users can safely switch among the connected computers operating at different classification levels without worry. .

Item

Code

ServSwitch™ Secure with USB, CC Evaluated (EAL4+)	
ServSwitch™ Secure with USB, CC Evaluated (EAL4+), DVI, 2-Port	SW2008A-USB-EAL
ServSwitch™ Secure with USB, CC Evaluated (EAL4+), DVI, 4-Port	SW4008A-USB-EAL
ServSwitch™ Secure with USB, TEMPEST-approved, CC Evaluated (EAL4+)	
ServSwitch™ Secure with USB, TEMPEST-approved, CC Evaluated (EAL4+), VGA, 2-Port	SW2006A-USB-EAL
ServSwitch™ Secure with USB, TEMPEST-approved, CC Evaluated (EAL4+), VGA, 4-Port	SW4006A-USB-EAL