

Intelli-Pass™ Biometric Access Control

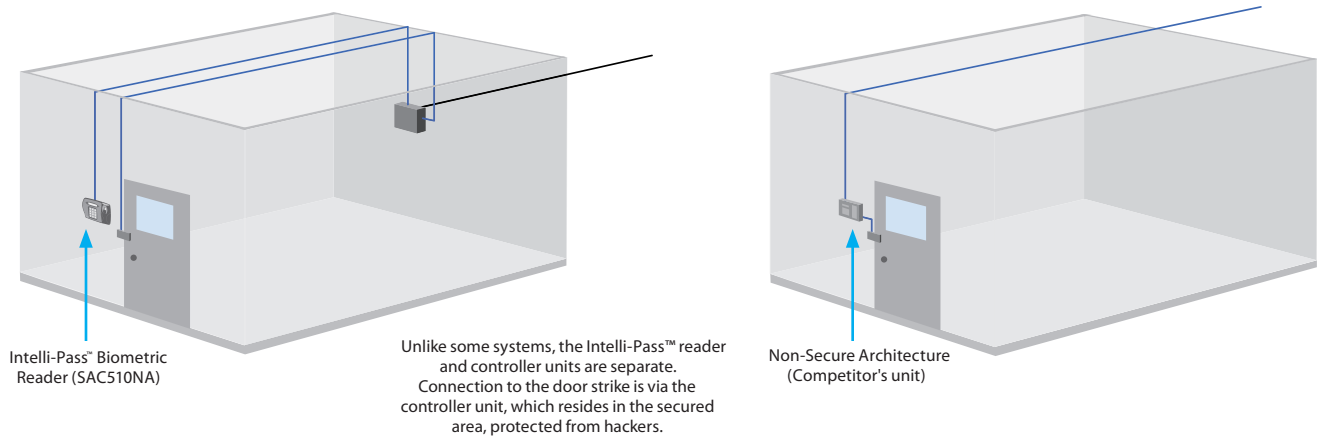
Features enhanced biometric security with two-factor authentication, providing the perfect blend of security and simplicity.

 **Intelli-Pass™**
BLACK BOX BIOMETRIC ACCESS CONTROL



Intelli-Pass™ Biometric Access Control

Protect even your most sensitive facilities with advanced biometrics—and reduce costs, too.



The Intelli-Pass™ gives you a complete, secure door-access system. Use it to protect your doors from unauthorised access, notify you when a door is propped open, and get out of the building fast in case of a fire. It works with magnetic locks and electric strike locks to provide fail-safe or fail-secure door lock operation. A fail-safe lock requires power to keep it locked. A fail-secure lock stays locked even without power, but requires power to open it.

The following Intelli-Pass™ models are available:

- SAC510NA (networked, requires management software)
- SAC510SA (standalone)

The Intelli-Pass™ consists of two components: a reader unit and a controller unit. The reader unit has two parts (a front section and a back section), and mounts on a wall next to the door you want to control. You can place the controller unit above a false ceiling, or high up out of general reach, since you will not need to access it once you install the Intelli-Pass™ system.

FEATURES AND BENEFITS

- » Two-part architecture provides superior security.
- » Eliminates the need for keys and access cards.
- » Enhanced biometric security with dual-factor authentication.
- » Lock and network communications originate from a secure area.
- » Full audit trail provides detailed entry logs.
- » Simplify access by using logical groups for users and doors.
- » Timed access controls are great for cleaning crews or temporary contractors.
- » Anti-spoof and anti-tamper circuitry.
- » Integrates with fire alarm and environmental monitoring systems.
- » Multiple doors may be controlled and managed through optional management software.
- » Battery backup ensures access during power failures.

Tight security

A unique two-part architecture makes Intelli-Pass™ the ultimate in secure access control. The reader and controller units are separate, so there are no connections in the reader unit exposed to the outside. Because all the mechanics for opening the secured door are within the protected area, hackers can't cut the wires or spoof the signals to open the door. Plus, proprietary encryption protects communications between the reader and the controller, further enhancing security.

The duress feature allows a person forced to enter a room against his/her will to activate a silent alarm. Even if the power fails, Intelli-Pass™ is prepared with a backup battery that provides up to eight hours of limited use.

Extensive management features

The Intelli-Pass™ has many features that make managing door access easy. A full audit trail means you can keep track of who is coming and going and when. The time-banding feature enables you to determine when individuals can be granted access to rooms or facilities. You can set the Intelli-Pass™ to deny access outside of approved time slots. You can also set up temporary workers with a pre-defined length of access; the system automatically deactivates their access after the period has expired.

You can group users and doors together to make management simple. For example, members of a department can have access to some doors but not others. Users can easily be deleted in just a few seconds.

Fingerprint identity simplifies administration.

Enrolling users couldn't be easier. When a person is entered into the Intelli-Pass™ system, the system creates a multipoint schematic of the user's biometric fingerprint profile, which it stores as a fingerprint template. Each time that user seeks access to a secure area, that template will be matched to the live fingerprint. The system does not store fingerprint images, and the biometric template cannot be used to create an image of the original print.

The multistage fingerprint verification goes beyond pattern recognition. The Intelli-Pass™ actually looks for "life" in the finger and rejects pictures of or silicon imprints of a finger. The system has an extremely high level of accuracy and reliability (EER <0.1%).

Legitimate users gain quick access to secure areas. All they need to do is enter their PIN and place their finger on the reader. Authentication takes less than one second.

If the fingerprint matches the template perfectly, Intelli-Pass™ unlocks the door and logs the date and time of entry.

Networked access control for easy administration from anywhere.

The Intelli-Pass™ Biometric Access Control networked model (SAC510NA) enables you to control and monitor hundreds or thousands of doors from a central location.

Controller units attach to their site's computer network or private network using standard IP addresses and communicate with central control stations with encrypted TCP/IP. User enrollment can occur at one central location, using the Intelli-Pass™ Management and Enrollment Software (SAC500MSA). The software enables you to easily manage and control multiple Intelli-Pass™ units installed on multiple doors. Instead of having to enroll users on each door separately, you can enroll once, then use that information for each relevant door. Additionally, the software makes the creation of user groups and door access zones a much easier process. You can set up and configure each networked unit, and upload fingerprint templates to any networked units to grant user access to them.

Audit trails are automatically downloaded and stored in the central database, which is included in the software. You can view individual user and door logs as needed.

If your network fails, the Intelli-Pass™ continues to operate normally because network communication is not required for fingerprint verification. The system saves all logging activity and uploads it to a database once the network connection is restored.

Standalone access control for isolated installations and ultimate security.

When your installation doesn't require centralised control of multiple access points or when ultra-high security prevents any network connections, select the standalone Intelli-Pass™ (SAC510SA). In this case, all programming—including user enrollment—is performed via the reader's keypad and LCD display via simple-to-use menus.

So many uses.

Applications for the Intelli-Pass™ include communications closets, data centres, command centres, server rooms, main building entrances, motor pools, network operations centres, raw material storage, remote buildings, research labs, SCIFs, munitions facilities, arms rooms, security gates, and more!

What you'll need:

The first step is to choose a networked or standalone system. If you choose a networked system, you'll need to select your software package based on the number of doors you wish to secure.

If your doors don't already have electric strikes, we can help you select the correct Electric-Strike or Mag-Locks for the specific types of doors in your facility. Optional on-site installation and/or configuration services are available—contact our FREE Tech Support hotline to get started.

What's included

SA C510 NA , SA C510 SA :

- Reader unit (2 pieces)
- Controller unit
- Installation template and screws
- Black Box™ 10" patch cord (for SAC510NA only)
- 18.5-VDC power supply
- U.K. power cord
- User's guide (printed)

TECH SPECS

Battery Backup Time — 8 hours (based on limited usage)
 Encryption — Proprietary 256-bit algorithm (head-unit to controller communications)
 User Controls — 12-digit keypad, LCD menu
 Power — Input: 100–240 VAC, 50–60 Hz; Output: 18.5 VDC, 3.5 amps, 65 watts
 Dimensions — Controller Unit: 26.7(H) x 26.2(W) x 10.2(D) cm);
 Reader Unit: 14.6(H) x 19.1(W) x 6(D) cm)

Technically Speaking

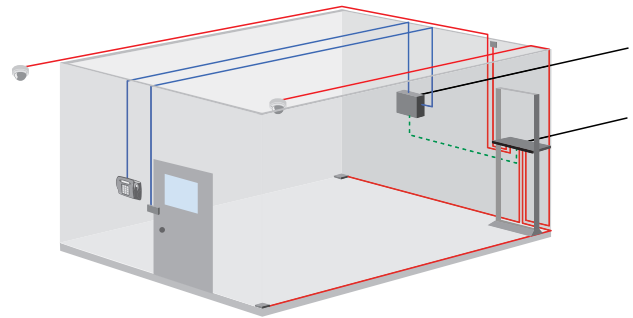
Intelli-Pass™ and AlertWerks: a perfect team.

Once a code and fingerprint are verified, the Intelli-Pass™ sends a signal to open the door. A signal may also be sent to the AlertWerks™ Environmental Monitoring System to trigger it to take a photo of the user entering the secure area.

You can position an AlertWerks PT Dome Camera outside the secure area to see who is approaching and how many people there are.

Or set up the camera inside the secure room to see who's coming in the door and what equipment they're using once they're inside.

Because AlertWerks can also monitor the conditions in that room (temperature, airflow, presence of smoke or water, voltages, etc.), you now have a complete view of what's happening around your expensive and mission-critical equipment.



Item	Code	List Price
------	------	------------

First choose your version...

Intelli-Pass™ Biometric Access Control		
Networked	SAC510NA	CALL
Standalone	SAC510SA	CALL

...then, if choosing a networked version, select your software package.

Intelli-Pass™ Management & Enrollment Software with Scanner		
For up to 5 Doors	SAC500MSA-5K	CALL
For up to 10 Doors	SAC500MSA-10K	CALL
For up to 25 Doors	SAC500MSA-25K	CALL
For up to 50 Doors	SAC500MSA-50K	CALL
For Unlimited Doors	SAC500MSA-UK	CALL

You may also need...

Management & Enrollment Software with Scanner	Additional User License	SAC501MSA	CALL
Replacement Enrollment Scanner		SAC506SCA	CALL
Outdoor Weather Box		SAC509BXA	CALL
Electric Strikes			
Compact		5000-12/24D-LBM	CALL
Concealed		5900-12/24-630-LBM	CALL
Premium		1006--12/24D-630-LBM	CALL
Surface-Mount		9500-12/24D-630 LBM	CALL

For more options, visit blackbox.com.

Add a warranty package...

Intelli-Pass™ Premium Warranty and Support Packages		
1 Year per Door	SAC510XWA-1	CALL
3 Years per Door	SAC510XWA-3	CALL
* Includes extended hardware warranty, express replacement, remote diagnostic support, and an on-site service call (if necessary).		

Add A AlertWerks products...

AlertWerks Environmental Monitoring		
ServSensor V4P with 20 Dry-Contact Inputs		
	EME129A-20	CALL
Temperature Sensor, Remote	EME1T2-005	CALL
Motion Detection Sensor	EME1M1-005-R2	CALL
PT Dome Camera	SCA201	CALL

For more AlertWerks products, visit www.blackbox.co.uk

FREE, live help in 20 seconds or less!

You'll find it at Black Box.

The right products, the right support, and the right pricing.

Comprehensive communications and infrastructure solutions.

Get the objective advice you need, the industry-leading technology you want, and the real support you can count on from Black Box Network Services.



- » Security
- » Cables & Connectors
- » Digital Signage & AV
- » LAN
- » Environmental Monitoring
- » Testers & Tools
- » Wireless
- » Power & Surge Protection
- » KVM Switches & Extenders
- » Voice Communications
- » WAN
- » Cabinets & Racks